

4/2/2015	<b>Product Note</b>	WXDC
	AERV□W/AEQV□W	沙印印

一、 文件編號：32057R9506 Rev.00 ( 22 pages)

此次版次修訂內容摘錄如下：

二、 若版本更新，經照會同意後依新版本實施。

三、 敬會：

上海東元：

---

A	C	D															1
																	1



EFFECTIVE :

REVISED : \_\_\_\_\_

# PRODUCT NOTE

**MODEL : AERV□W / AEQV□W**

ALUMINIUM FRAME  
IE3 EFFICIENCY 3-PHASE INDUCTION MOTORS  
LOW VOLTAGE SQUIRREL CAGE TEFC  
FRAME NOS : 80M ~ 160L

## TABLE OF CONTENTS

		DWG NO.	NAME	PAGES	DATE
		32057R9507	SPECIFICATION TABLE	2	26-Mar-15
		32057R9508	PERFORMANCE DATA	1	26-Mar-15
		32057R9509	OUTLINE DIMENSIONS SHEET ( 80M~160L ) ( IM B3 )	2	26-Mar-15
		32057R9510	OUTLINE DIMENSIONS SHEET ( 80M~160L ) ( IM B5 )	2	26-Mar-15
GERD	1	32057R9511	OUTLINE DIMENSIONS SHEET ( 80M~160L ) ( IM V1 )	2	26-Mar-15
WXDC	1	32057R9512	SCHEMATIC DRAWING ( 80M~160L ) ( IM B3 )	4	26-Mar-15
FTPM	1	32057R9513	SCHEMATIC DRAWING ( 80M~160L ) ( IM B5 )	4	26-Mar-15
GSMD	1	32057R9514	SCHEMATIC DRAWING ( 80M~160L ) ( IM V1 )	5	26-Mar-15

APPD.			TECO Electric & Machinery Co., Ltd. Wuxi, China	DWG NO.	<b>32057R9506</b>	
CHKD.	Chiwen CHEN	27-Mar-15		REV.00		2/2
DWN.	YINYIN.SHA	26-Mar-15				

ISSUED 26-Mar-15		<b>SPECIFICATION TABLE</b>		MODEL <b>AERV□W / AEQV□W</b>
REVISED				PAGE 1 of 22
		IE3 EFFICIENCY 3-PHASE INDUCTION MOTORS LOW VOLTAGE SQUIRREL CAGE		
ITEM		STANDARD SPECIFICATION		
R A T I N G	Kind of Motors	Squirrel - Cage Induction Motor ( SCIM ) .		
	Design Standards	IEC 60034, IEC 60072 .		
	Voltages	50Hz 380V.		
	Output Range	0.55 kW ~ 18.5 kW		
	R.P.M. (Syn.)	3000 ~ 1000 R.P.M. ( 2 ~ 6 Poles )		
	Time Duty	Continuous. S1 , S.F. : 1.0 .		
	Frame Nos.	80M ~ 160L		
	Protection Enclosure	Totally Enclosed ( IP 55 ) .		
	Cooling Method	Self External Fan, Surface Cooling ( IC 411 ) .		
Mounting	AERV□W : Horizontal Foot Mounted B3 ( IM 1001 ) . AEQV□W : Horizontal Flange Mounted B5 ( IM 3001 ) . AEQV□W : Vertical Flange Mounted , Shaft Down V1 ( IM 3011 ) .			
A P P L I C A T I O N	Environment Conditions	Place : Shadow, Non-Hazardous. Ambient Temperature : -20 ~ 40°C . Relative Humidity : Less Than 90%RH ( Non-Condensation ) . Altitude : Less Than 1,000 Meters .		
	Power Source Conditions	Voltage : ±10% , Frequency : ±5% , and 10% Max. of Combined Voltage and Frequency . But Frequency Variation Does Not Exceed ±5% .		
	Method of Starting	Full Voltage Direct On Line or Y - △ Starting .		
	Drive Method	Coupling or Belt Servie Are Available for All Range Depends on Bearing Capacity.		
	Direction of Rotation	CW According to IEC Definition, Suitable for Bi - Directional Operation .		
C O N S T R U C T I O N	Dimensions	As DWG No. 32057R9509 ( IM B3 ) , 32057R9510 ( IM B5 ) , 32057R9511 ( IM V1 ) .		
	Frame	Die-Casting Aluminium .		
	End Bracket or Flange	Die-Casting Aluminium with Steel Liner .		
	External Fan	Polypropylene .		
	Fan Cover	Pressed - Steel Plate .		
	Shaft	Carbon Steel, Cylindrical Single Extension with Keyway and Key .		
	Bearing	Bracket Mounting , Vacuum De-Gassed High Quality , Grease Pre-Packed Shielded Ball Bearings .		
	Lubrication	Mineral Oil, Li - Base Grease ( MULTEMP SRL ) .		
Lead Terminal	6 Leads, with Solderless Lug Terminals .			
APPD.			<b>TECO Electric &amp; Machinery Co., Ltd.</b> <b>Wuxi, China</b>	DWG NO.
CHKD.	Chiwen CHEN	27-Mar-15		<b>32057R9507</b>
DWN.	YINYIN.SHA	26-Mar-15		REV. 00
				1/2

ISSUED 26-Mar-15		<b>SPECIFICATION TABLE</b>		MODEL <b>AERV□W / AEQV□W</b>
REVISED				IE3 EFFICIENCY 3-PHASE INDUCTION MOTORS LOW VOLTAGE SQUIRREL CAGE
<b>ITEM</b>			<b>STANDARD SPECIFICATION</b>	
C O N S T R U C T I O N	Shaft Flinger		V Ring on Both End .	
	Terminal Box		Aluminium Die - Casting, With Terminal Board, Can be Rotated Each 90°, With Conduit Hole for Cable Entrance. The Terminal Box is Usually Placed on The Top of The Frame and The Cables Could be Connected from Four Possible Directions .	
	Iron Core		High Grade , Insulated , Cold - Rolled Electro-Magnetic Steel Plate .	
	Stator Winding		Pre - Formed, Random Wound, Made of Heavy, Polyester Enameled Copper Wire .	
	Stator Insulation		Class F Insulation System .	
	Varnish Treatment		Phenolic Alkyd Resin Varnish ( Do Not Add Finishing Varnish W188R ) .	
	Rotor Winding		Squirrel Cage, Aluminium Conductor with End - Ring and Waffer Blades Integrally Cast .	
	Painting		Phenolic Rust Proof Base Plus Lacquer Surface Finished Painting in Pebble - Gray Color ( Munsell 5Y 7.5/1 ) ( RAL 7032 ) .	
	Name Plate		Stainless Steel Plate .	
	Bolt Thread		ISO Metric System .	
Grounding Terminal		Be Set Inside the Terminal Box .		
P E R F O R M	Test Procedure		IEC 60034-2-1:2007 And Full Voltage Measuring Starting Performance .	
	Typical Performance		As DWG NO. 32057R9508 .	
	Temperature Rise		Not to Exceed 80 °C Rise by Resistance Method at S.F 1.0 Operation .	
	Over Speed		120% Syn. R.P.M. for 2 Minutes .	
	Over Torque		160% Rated Torque for 15 Sec .	
O P T I O N			Cast Iron Bracket or Flange , IP55 Outdoor , Drip Proof Cover ... Heater , Class H...	
APPD.			<b>TECO Electric &amp; Machinery Co., Ltd.</b> <b>Wuxi, China</b>	DWG NO.
CHKD.	Chiwen CHEN	27-Mar-15		<b>32057R9507</b>
DWN.	YINYIN.SHA	26-Mar-15		REV. 00

ISSUED 26-Mar-15	<h1>PERFORMANCE DATA</h1> 3-PHASE SQUIRREL CAGE IE3 EFFICIENCY INDUCTION MOTORS	MODEL <b>AERV□W / AEQV□W</b>
REVISED		PAGE 3 of 22

TEFC, CLASS F, 40°C AMBIENT TEMP.  
IEC DESIGN N CONTINUOUS DUTY  
50Hz 380V

IE3

**TYPICAL PERFORMANCE**

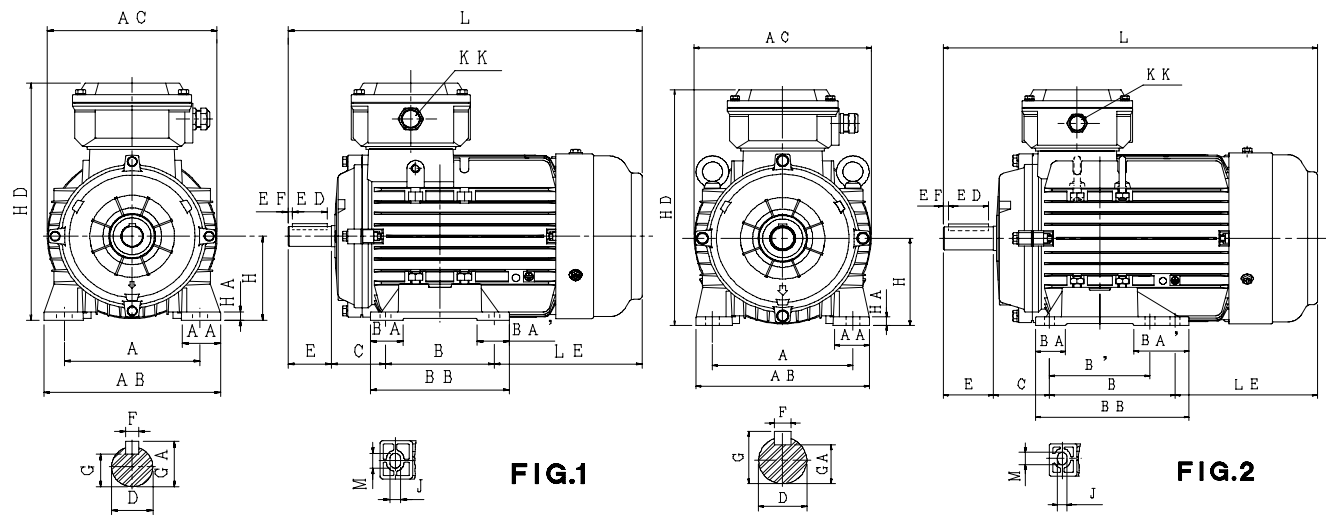
( 380 V )

OUTPUT		FULL LOAD rpm	FRAME NO.	EFFICIENCY				POWER FACTOR				CURRENT		TORQUE				ROTOR GD <sup>2</sup> kg-m <sup>2</sup>	NOISE SPL dB(A)	APPROX. WEIGHT kg
HP	kW			FULL	3/4	2/4	1/4	FULL	3/4	2/4	1/4	FULL	LOCKED	FULL	LOCKED	PULL	BREAK			
				(%)	(%)	(%)	(%)	(%)	(%)	(%)	(%)	(A)	(A)	N · m	%FLT	%FLT	%FLT			
0.75	0.55	1435	80M	80.8	81.1	79.0	67.9	75.5	68.0	55.5	34.5	1.37	8	3.660	250	230	300	0.011	54.0	13.0
		915	80M	77.2	78.4	76.6	64.4	65.5	56.5	44.0	26.0	1.65	6	5.740	205	200	240	0.013	52.0	14.0
1	0.75	2850	80M	80.7	80.7	78.3	67.2	84.5	77.5	65.0	43.5	1.67	12	2.513	300	255	310	0.003	61.0	10.0
		1435	80M	82.5	83.1	81.8	76.0	74.0	66.0	52.5	33.5	1.87	13	4.991	245	160	290	0.012	54.0	14.5
		945	90S	78.9	79.1	76.3	66.4	64.0	55.0	42.5	26.5	2.26	9	7.579	210	205	275	0.018	52.0	16.5
1.5	1.1	2855	80M	82.7	83.0	81.5	72.7	86.5	80.5	69.5	48.0	2.34	17	3.680	295	235	305	0.004	61.0	12.0
		1435	90S	84.1	84.1	82.3	74.0	77.0	68.0	54.0	35.0	2.58	20	7.321	320	315	355	0.019	54.0	18.0
		950	90L	81.0	80.8	77.9	68.7	63.5	54.5	42.0	26.0	3.25	15	11.06	220	215	285	0.024	53.5	21.5
2	1.5	2860	90S	84.2	85.4	84.2	78.4	85.5	79.5	66.5	45.0	3.17	24	5.009	285	220	335	0.008	61.0	15.5
		1440	90L	85.3	85.5	84.0	77.1	75.5	66.5	52.0	32.0	3.54	27	9.95	345	160	375	0.021	54.0	20.0
		955	100L	82.5	82.1	79.6	62.4	73.5	65.5	52.5	30.0	3.76	24	15.00	255	200	300	0.053	54.5	24.0
3	2.2	2865	90L	85.9	87.0	86.4	81.6	86.5	80.5	69.0	46.5	4.50	40	7.333	310	280	365	0.011	63.0	19.5
		1455	100L	86.7	86.4	84.4	75.6	77.5	70.5	58.0	37.0	4.97	37	14.44	225	220	320	0.041	55.0	25.5
		960	112M	84.3	84.5	82.7	73.5	76.5	68.5	54.5	34.5	5.18	36	21.89	210	190	300	0.095	54.5	34.0
4	3	2900	100L	87.1	88.0	87.4	83.2	87.0	83.0	72.5	52.0	5.71	49	9.879	265	240	320	0.018	63.0	23.5
		1465	100L	87.7	87.2	85.5	75.5	79.5	73.0	61.0	39.5	6.54	48	19.56	235	200	330	0.052	55.0	29.5
		970	132S	85.6	85.8	84.8	78.9	76.0	69.0	58.5	35.5	7.01	41	29.54	205	200	300	0.137	59.5	47.0
5.5	4	2910	112M	88.1	88.9	88.3	81.1	87.5	84.5	76.0	51.5	7.88	62	13.13	210	165	300	0.036	67.0	32.5
		1445	112M	88.6	88.9	88.6	81.2	82.5	77.0	65.5	39.0	8.31	72	26.44	245	195	305	0.071	56.0	35.5
		970	132M	86.8	86.9	85.6	79.8	77.0	70.0	57.5	36.5	9.09	61	39.38	210	205	300	0.182	60.0	57.0
7.5	5.5	2925	132S	89.2	89.9	88.6	82.5	86.5	83.0	74.0	48.5	10.8	84	17.96	215	195	300	0.066	71.0	45.0
		1460	132S	89.6	90.5	90.2	86.4	83.5	78.0	67.0	44.5	11.2	84	35.98	245	200	300	0.132	60.0	49.0
		965	132M	88.0	88.5	87.6	82.8	79.5	72.5	60.5	39.0	11.9	79	54.43	210	160	300	0.216	60.0	65.0
10	7.5	2920	132S	90.1	90.9	90.8	87.7	87.0	84.5	77.5	58.5	14.5	105	24.53	210	195	315	0.081	71.0	53.0
		1450	132M	90.4	91.3	91.5	88.9	86.5	82.5	72.5	51.5	14.6	99	49.40	240	185	270	0.152	60.0	56.0
		970	160M	89.1	89.0	88.0	81.4	78.5	72.0	60.0	38.5	16.3	108	73.84	280	240	300	0.447	61.5	82.0
15	11	2940	160M	91.2	91.8	91.6	87.8	90.5	88.0	81.5	63.0	20.2	179	35.73	270	205	320	0.167	75.0	72.5
		1465	160M	91.4	92.3	92.7	90.0	86.5	83.0	74.5	51.0	21.1	154	71.71	240	200	300	0.366	66.5	85.0
		970	160L	90.3	91.0	90.5	86.0	78.0	72.0	60.5	38.0	23.7	179	108.3	295	255	300	0.628	62.0	105
20	15	2940	160M	91.9	92.6	92.4	89.0	92.0	90.0	85.0	67.5	27.0	233	48.72	280	210	320	0.205	75.5	86.0
		1460	160L	92.1	92.5	92.5	89.0	84.5	81.0	71.0	49.0	29.3	237	98.12	250	195	300	0.460	66.5	104
25	18.5	2940	160L	92.4	93.3	93.2	90.5	92.0	90.0	84.5	68.0	33.1	298	60.09	295	225	325	0.252	76.0	102

- NOTE :
- The above are typical values based on test according to IEC 60034-2-1:2007
  - Tolerance according to IEC 60034-1.
  - Efficiency, power factor, speed and torque are the same for other voltages.  
Current values vary inversely with voltage.
  - Noise : sound pressure level ( SPL ) at no - load, dB(A), Tolerance + 3 dB(A)
  - Data subject to change without notice.

APPD.			<b>TECO Electric &amp; Machinery Co., Ltd.</b> <b>Wuxi, China</b>	DWG NO.
CHKD.	Chiwen CHEN	27-Mar-15		<b>32057R9508</b>
DWN.	YINYIN.SHA	26-Mar-15		REV. 00 <span style="float: right;">1.0</span>

Totally Enclosed Fan - Cooled Type, Squirrel - Cage Rotor.



Dimensions in mm

Output (kW)			FRAME SIZE	FIG. NO.	A	AA	AB	AC	B	B'	BA	BA'	BB	C	H	HA	HD	KK
2P	4P	6P			A	AA	AB	AC	B	B'	BA	BA'	BB	C	H	HA	HD	KK
0.75 1.1	0.55 0.75	0.55 -	80M	1	125	35	163	156.5	100	-	30	30	128	50	80	8	225.5	M16X1.5
1.5 2.2	1.1 1.5	0.75 1.1	90S 90L	2	140	35	173	176.5	100 125	- 100	30 30	30 55	128 153	56	90	9	243	M20X1.5
3 -	2.2 3	1.5 -	100L		160	36.5	195	197	140	-	40	40	177	63	100	12	277	
4 -	4 -	2.2 -	112M	2	190	48	225	219	140	-	40	40	177	70	112	12	296	M25X1.5
5.5 7.5	5.5 -	3 -	132S		216	44.5	250	261	140 178	- 140	40 40	40 78	177 215	89	132	12	338	
- -	7.5 -	4 5.5	132M															

FRAME SIZE	L	LE	J	M	SHAFT EXTENSION							BEARING	
					D	E	ED	EF	F	G	GA	DRIVE END	OPPOSITE DRIVE END
80M	326.5	136.5	10	14	19	40	32	4	6	15.5	21.5	6204ZZC3	6204ZZC3
90S	348	142	10	14	24	50	40	5	8	20	27	6205ZZC3	6205ZZC3
90L	373												
100L	398.5	135.5	12	16	28	60	50	5	8	24	31	6206ZZC3	6206ZZC3
112M	425	155	12	16	28	60	50	5	8	24	31	6306ZZC3	6306ZZC3
132S	464	155	12	16	38	80	70	5	10	33	41	6308ZZC3	6306ZZC3
132M	502												

Note : 1. Tolerance of Shaft End Diameter D : 1) F#80M~112M : j6 . 2) F#132 : k6 .  
 2. Tolerance of Shaft Center Height H : +0, -0.5 .

ISSUED  
26-Mar-15

REVISED

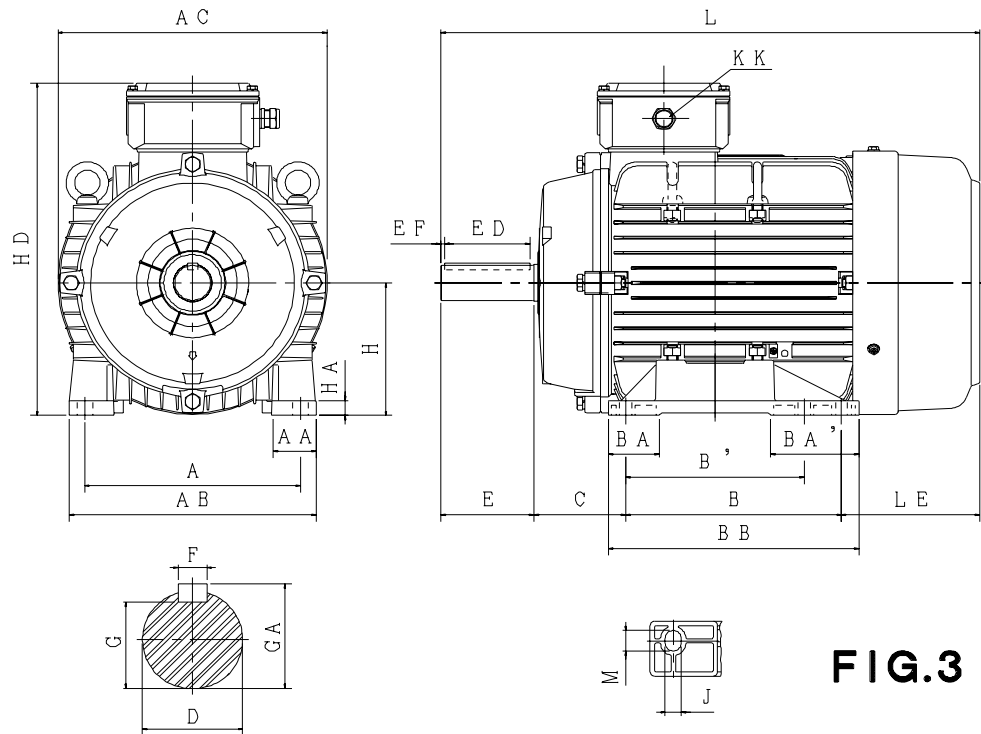
# OUTLINE DIMENSIONS SHEET

IE3 EFFICIENCY 3-PHASE INDUCTION MOTORS  
B3 (IM1001) FRAME NOS. 160

MODEL  
**AERV**   **W**

PAGE  
5 of 22

Totally Enclosed Fan - Cooled Type, Squirrel - Cage Rotor.



**FIG.3**

Dimensions in mm

Output (kW)			FRAME SIZE	FIG. NO.	A	AA	AB	AC	B	B'	BA	BA'	BB	C	H	HA	HD	KK
2P	4P	6P																
11	11	7.5	160M	3	254	50	290	317	210	—	60	60	251	108	160	18	401	M32X1.5
15	—	—	160L						254	210	60	104	295					
18.5	15	11																

FRAME SIZE	L	LE	J	M	SHAFT EXTENSION							BEARING	
					D	E	ED	EF	F	G	GA	DRIVE END	OPPOSITE DRIVE END
160M	591	163	14.5	18.5	42	110	100	5	12	37	45	6309ZZC3	
160L	635											6307ZZC3	

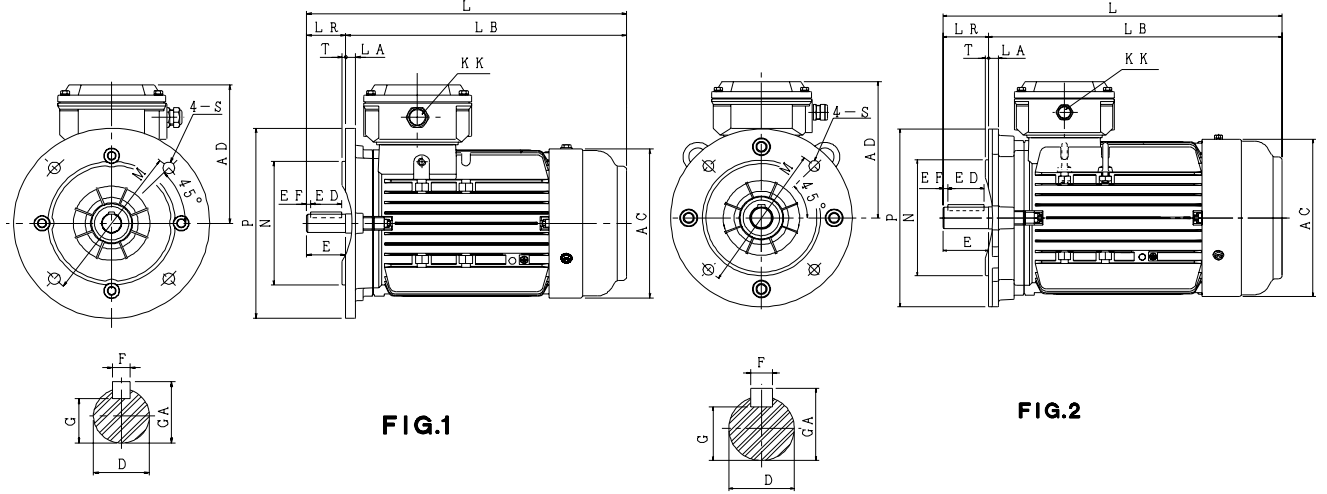
Note : 1. Tolerance of Shaft End Diameter D : k6.  
2. Tolerance of Shaft Center Height H : +0, -0.5 .

APPD.	Chiwen CHEN	27-Mar-15
CHKD.	Chiwen CHEN	27-Mar-15
DWN.	YINYIN.SHA	26-Mar-15

**TECO Electric & Machinery Co., Ltd.**  
**Wuxi, China**

DWG NO.  
**32057R9509**  
REV. 00

**Totally Enclosed Fan - Cooled Type, Squirrel - Cage Rotor.**



Dimensions in mm

Output (kW)			FRAME SIZE	FIG. NO.	AC	AD	KK	LA	LB	LR	M	N	P	S	T
2P	4P	6P													
0.75 1.1	0.55 0.75	0.55 -	80M	1	156.5	145.5	M16X1.5	10	286.5	40	165	130	200	φ 12	3.5
1.5 2.2	1.1 1.5	0.75 1.1	90S 90L	2	176.5	153	M20X1.5	11	298 323	50	165	130	200		
3 -	2.2 3	1.5 -	100L		197	177		14	338.5	60	215	180	250		
4	4	2.2	112M		219	184	14	365	60	215	180	250			
5.5 7.5	5.5 -	3 -	132S		261	206	M25X1.5	16	384	80	265	230	300	φ 14.5	4
- -	7.5 -	4 5.5	132M												

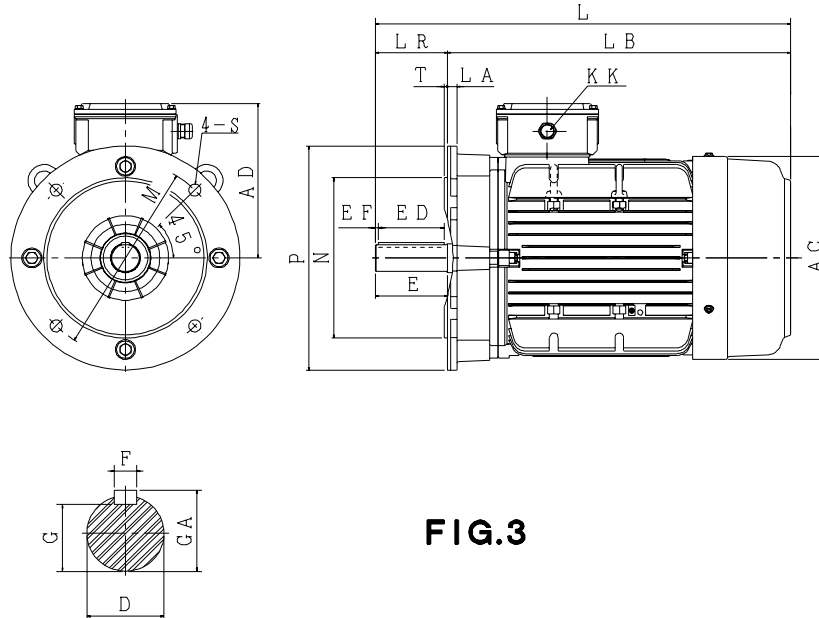
FRAME SIZE	L	SHAFT EXTENSION							BEARING	
		D	E	ED	EF	F	G	GA	DRIVE END	OPPOSITE DRIVE END
80M	326.5	19	40	32	4	6	15.5	21.5	6204ZZC3	6204ZZC3
90S	348	24	50	40	5	8	20	27	6205ZZC3	6205ZZC3
90L	373									
100L	398.5	28	60	50	5	8	24	31	6206ZZC3	6206ZZC3
112M	425	28	60	50	5	8	24	31	6306ZZC3	6306ZZC3
132S	464	38	80	70	5	10	33	41	6308ZZC3	6306ZZC3
132M	502									

Note : 1. Tolerance of Shaft End Diameter D : 1 ) F#80M~112M : j6 . 2 ) F#132 : k6 .  
 2. Tolerance of N : j6 .



ISSUED 26-Mar-15	<b>OUTLINE DIMENSIONS SHEET</b>	MODEL <b>AEQV□W</b>
REVISED		IE3 EFFICIENCY 3-PHASE INDUCTION MOTORS B5 (IM3001) FRAME NOS. 160

Totally Enclosed Fan - Cooled Type, Squirrel - Cage Rotor.



**FIG.3**

Dimensions in mm

Output (kW)			FRAME SIZE	FIG. NO.	AC	AD	KK	LA	LB	LR	M	N	P	S	T	L	
2P	4P	6P															
11	11	7.5	160M	3	317	241	M32X1.5	17	481	110	300	250	350	18.5	5	591	
15	—	—	160L						525								635
18.5	15	11															

FRAME SIZE	SHAFT EXTENSION							BEARING	
	D	E	ED	EF	F	G	GA	DRIVE END	OPPOSITE DRIVE END
	160M	42	110	100	5	12	37	45	6309ZZC3
160L									

- Note : 1. Tolerance of Shaft End Diameter D : k6 .  
2. Tolerance of N : j6 .

APPD.	Chiwen CHEN	27-Mar-15	<b>TECO Electric &amp; Machinery Co., Ltd.</b> <b>Wuxi, China</b>	DWG NO.	<b>32057R9510</b>
CHKD.	Chiwen CHEN	27-Mar-15		REV. 00	
DWN.	YINYIN.SHA	26-Mar-15		2/2	

ISSUED  
26-Mar-15

REVISED

# OUTLINE DIMENSIONS SHEET

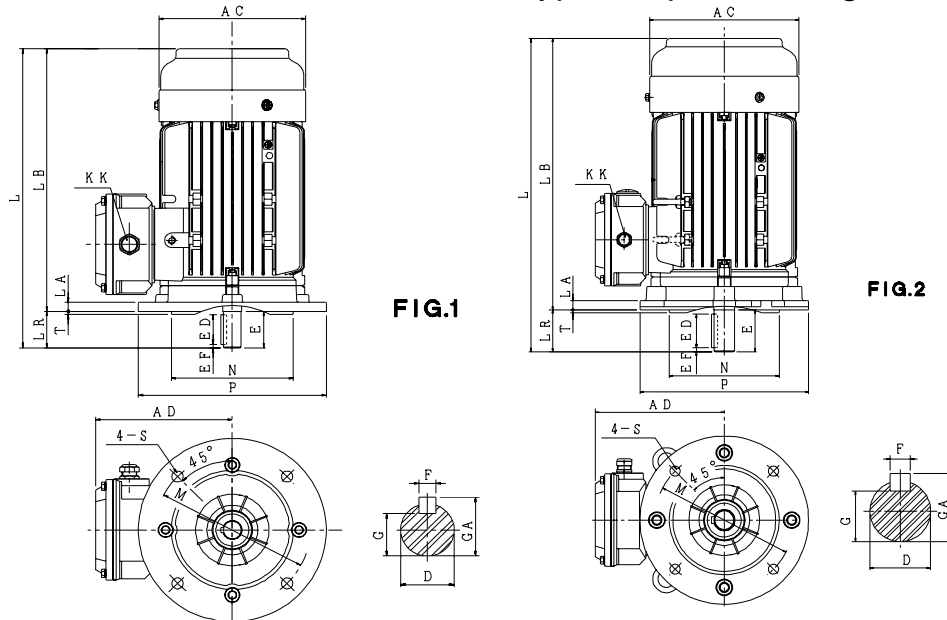
## IE3 EFFICIENCY 3-PHASE INDUCTION MOTORS

### V1 (IM3011) FRAME NOS. 80M ~ 132M

MODEL  
**AEQV□W**

PAGE  
8 of 22

Totally Enclosed Fan - Cooled Type, Squirrel - Cage Rotor.



Dimensions in mm

Output (kW)			FRAME SIZE	FIG. NO.	AC	AD	KK	LA	LB	LR	M	N	P	S	T
2P	4P	6P													
0.75 1.1	0.55 0.75	0.55 -	80M	1	156.5	145.5	M16X1.5	10	286.5	40	165	130	200	φ 12	3.5
1.5	1.1	0.75	90S												
2.2	1.5	1.1	90L	2	176.5	153	M20X1.5	11	298	50	165	130	200	φ 14.5	4
3	2.2 3	1.5 -	100L						323						
4	4	2.2	112M	2	197	177	M25X1.5	14	338.5	60	215	180	250	φ 14.5	4
5.5 7.5	5.5 -	3 -	132S						384						
-	7.5	4 5.5	132M	2	261	206	M25X1.5	16	422	80	265	230	300	φ 14.5	4
-	-	-	132M						422						

FRAME SIZE	L	SHAFT EXTENSION							BEARING	
		D	E	ED	EF	F	G	GA	DRIVE END	OPPOSITE DRIVE END
80M	326.5	19	40	32	4	6	15.5	21.5	6204ZCC3	6204ZCC3
90S	348	24	50	40	5	8	20	27	6205ZCC3	6205ZCC3
90L	373									
100L	398.5	28	60	50	5	8	24	31	6206ZCC3	6206ZCC3
112M	425	28	60	50	5	8	24	31	6306ZCC3	6306ZCC3
132S	464	38	80	70	5	10	33	41	6308ZCC3	6306ZCC3
132M	502									

Note :

1. Tolerance of Shaft End  
Diameter D : 1) F#80M~ 112M  
: j6 . 2) F#132 : k6 .

2. Tolerance of N : j6 .

APPD.	Chiwen CHEN	27-Mar-15
CHKD.	Chiwen CHEN	27-Mar-15
DWN.	YINYIN.SHA	26-Mar-15

**TECO Electric & Machinery Co., Ltd.**

**Wuxi, China**

DWG NO.  
**32057R9511**

REV. 00 1/2

ISSUED  
26-Mar-15

REVISED

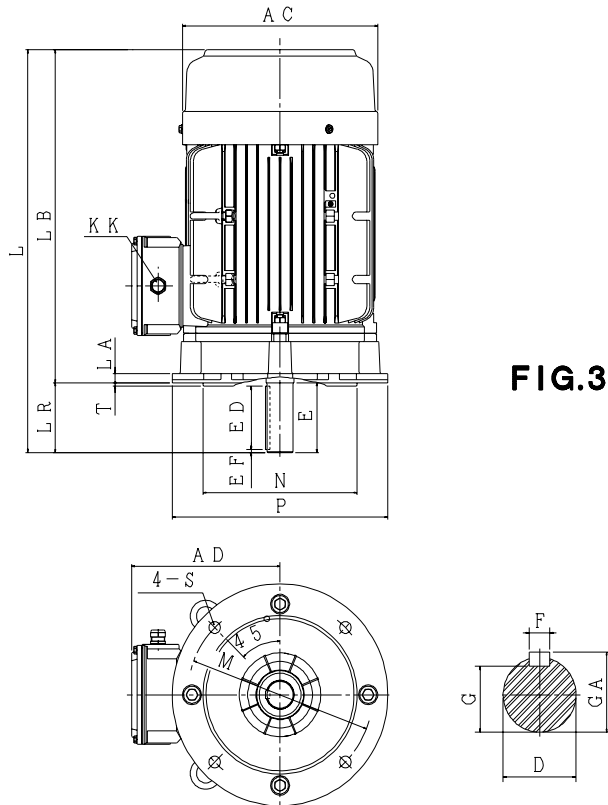
# OUTLINE DIMENSIONS SHEET

IE3 EFFICIENCY 3-PHASE INDUCTION MOTORS  
V1 (IM3011) FRAME NOS. 160

MODEL  
**AEQV□W**

PAGE  
9 of 22

Totally Enclosed Fan - Cooled Type, Squirrel - Cage Rotor.



Dimensions in mm

Output (kW)			FRAME SIZE	FIG. NO.	AC	AD	KK	LA	LB	LR	M	N	P	S	T	L
2P	4P	6P														
11	11	7.5	160M	3	317	241	M32X1.5	17	481	110	300	250	350	18.5	5	591
15	—	—							525							
18.5	15	11	160L													635

FRAME SIZE	SHAFT EXTENSION							BEARING	
	D	E	ED	EF	F	G	GA	DRIVE END	OPPOSITE DRIVE END
160M	42	110	100	5	12	37	45	6309ZZC3	6307ZZC3
160L									

Note : 1. Tolerance of Shaft End Diameter D : k6 .  
2. Tolerance of N : j6 .

APPD.	Chiwen CHEN	27-Mar-15
CHKD.	Chiwen CHEN	27-Mar-15
DWN.	YINYIN.SHA	26-Mar-15

**TECO Electric & Machinery Co., Ltd.**  
Wuxi, China

DWG NO.  
**32057R9511**  
REV. 00 2/2

ISSUED  
26-Mar-15

REVISED

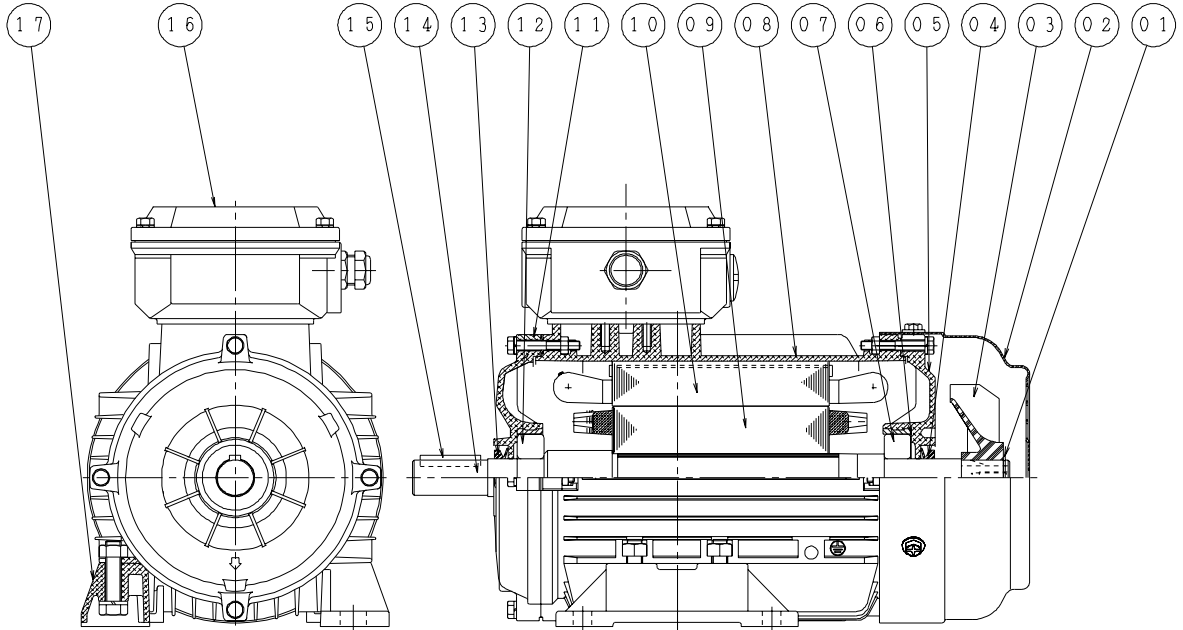
# SCHEMATIC DRAWING

IE3 EFFICIENCY 3-PHASE INDUCTION MOTORS  
B3 (IM 1001) FRAME NOS. 80M

MODEL  
**AERV□W**

PAGE  
10 of 22

Totally Enclosed Fan - Cooled Type, Squirrel - Cage Rotor.



ITEM	NAME	ITEM	NAME
1	OUTSIDE RETAINING RING	10	STATOR
2	FAN COVER	11	END BRACKET
3	EXTERNAL FAN	12	BEARING
4	V RING	13	V RING
5	END BRACKET	14	SHAFT
6	PRE-LOAD SPRING	15	KEY
7	BEARING	16	TERMINAL BOX
8	FRAME	17	FOOT BASE
9	ROTOR		

APPD.	Chiwen CHEN	27-Mar-15
CHKD.	Chiwen CHEN	27-Mar-15
DWN.	YINYIN.SHA	26-Mar-15

**TECO Electric & Machinery Co., Ltd.**  
**Wuxi, China**

DWG NO.  
**32057R9512**

REV. 00 1/4

ISSUED  
26-Mar-15

REVISED

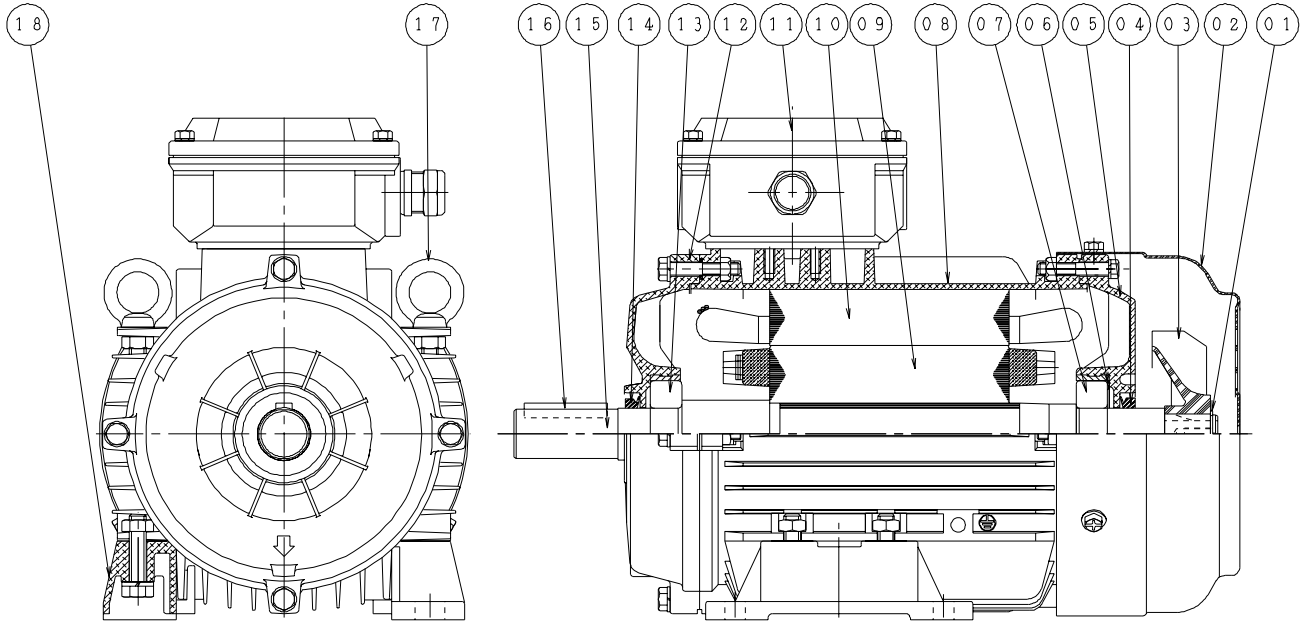
# SCHEMATIC DRAWING

IE3 EFFICIENCY 3-PHASE INDUCTION MOTORS  
B3 (IM 1001) FRAME NOS. 90S - 112M

MODEL  
**AERV□W**

PAGE  
11 of 22

Totally Enclosed Fan - Cooled Type, Squirrel - Cage Rotor.



ITEM	NAME	ITEM	NAME
1	OUTSIDE RETAINING RING	10	STATOR
2	FAN COVER	11	TERMINAL BOX
3	EXTERNAL FAN	12	END BRACKET
4	V RING	13	BEARING
5	END BRACKET	14	V RING
6	PRE-LOAD SPRING	15	SHAFT
7	BEARING	16	KEY
8	FRAME	17	EYE BOLT
9	ROTOR	18	FOOT BASE

APPD.	Chiwen CHEN	27-Mar-15
CHKD.	Chiwen CHEN	27-Mar-15
DWN.	YINYIN.SHA	26-Mar-15

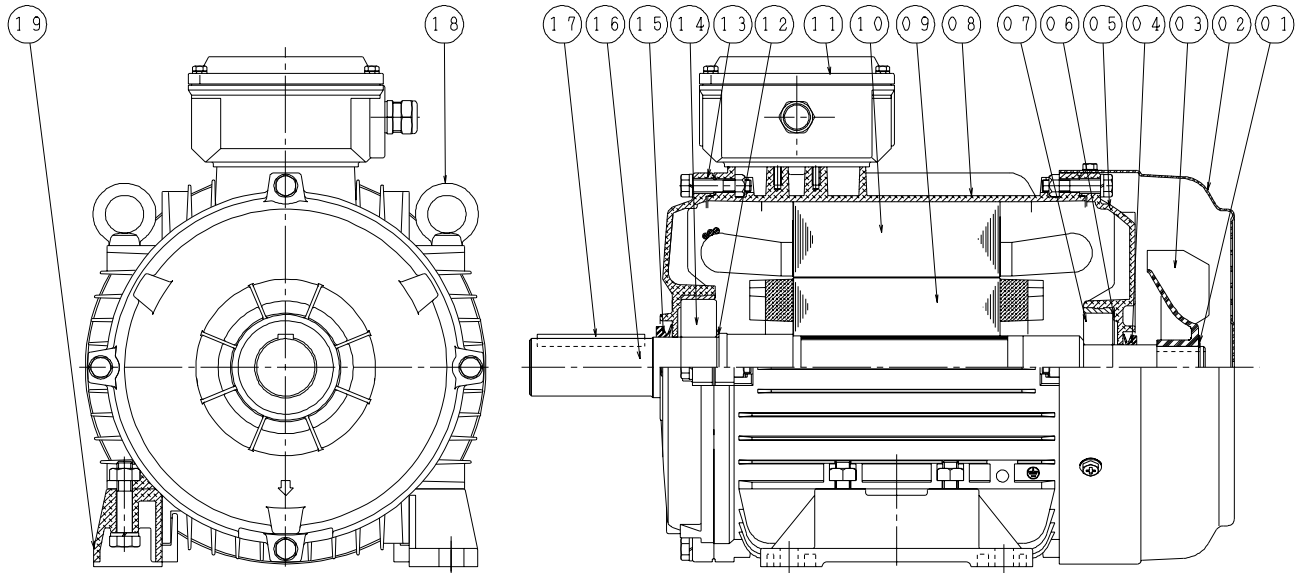
**TECO Electric & Machinery Co., Ltd.**  
**Wuxi, China**

DWG NO.  
**32057R9512**

REV. 00 2/4

ISSUED 26-Mar-15	<b>SCHEMATIC DRAWING</b>	MODEL <b>AERV□W</b>
REVISED		IE3 EFFICIENCY 3-PHASE INDUCTION MOTORS B3 (IM 1001) FRAME NOS. 132

Totally Enclosed Fan - Cooled Type, Squirrel - Cage Rotor.



ITEM	NAME	ITEM	NAME
1	OUTSIDE RETAINING RING	11	TERMINAL BOX
2	FAN COVER	12	STOP RING-BEARING
3	EXTERNAL FAN	13	END BRACKET
4	V RING	14	BEARING
5	END BRACKET	15	V RING
6	PRE-LOAD SPRING	16	SHAFT
7	BEARING	17	KEY
8	FRAME	18	EYE BOLT
9	ROTOR	19	FOOT BASE
10	STATOR		

APPD.	Chiwen CHEN	27-Mar-15	<b>TECO Electric &amp; Machinery Co., Ltd.</b> <b>Wuxi, China</b>	DWG NO.	<b>32057R9512</b>
CHKD.	Chiwen CHEN	27-Mar-15		REV. 00	
DWN.	YINYIN.SHA	26-Mar-15		3/4	

ISSUED  
26-Mar-15

# SCHEMATIC DRAWING

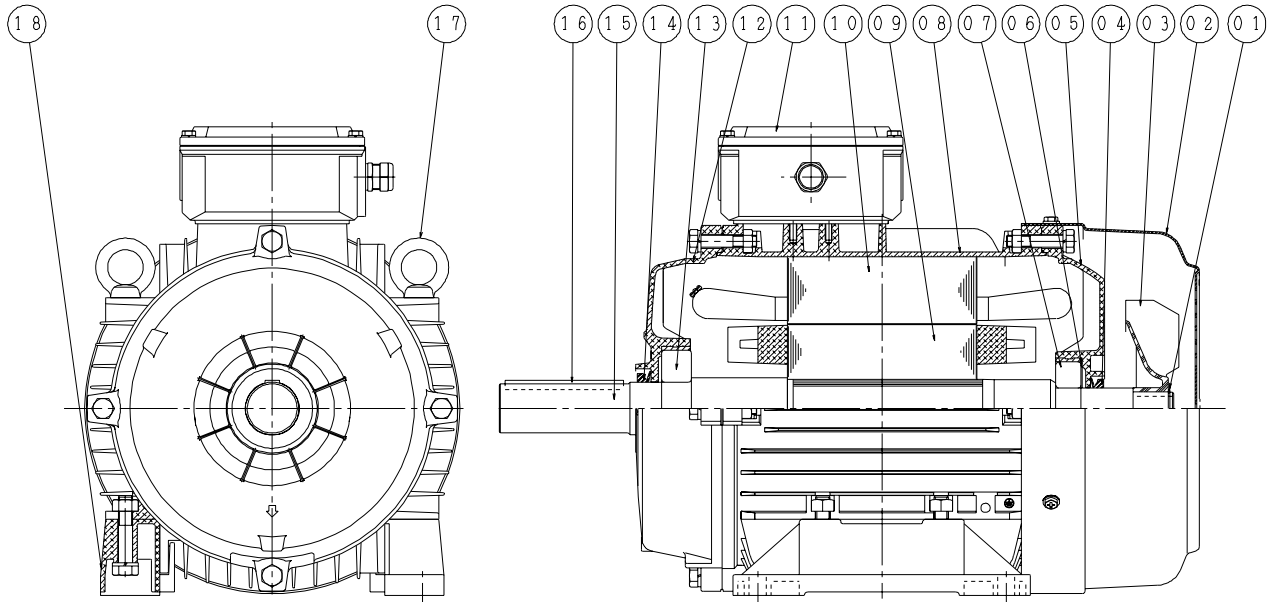
MODEL  
**AERV□W**

REVISED

IE3 EFFICIENCY 3-PHASE INDUCTION MOTORS  
B3 (IM 1001) FRAME NOS. 160

PAGE  
13 of 22

Totally Enclosed Fan - Cooled Type, Squirrel - Cage Rotor.

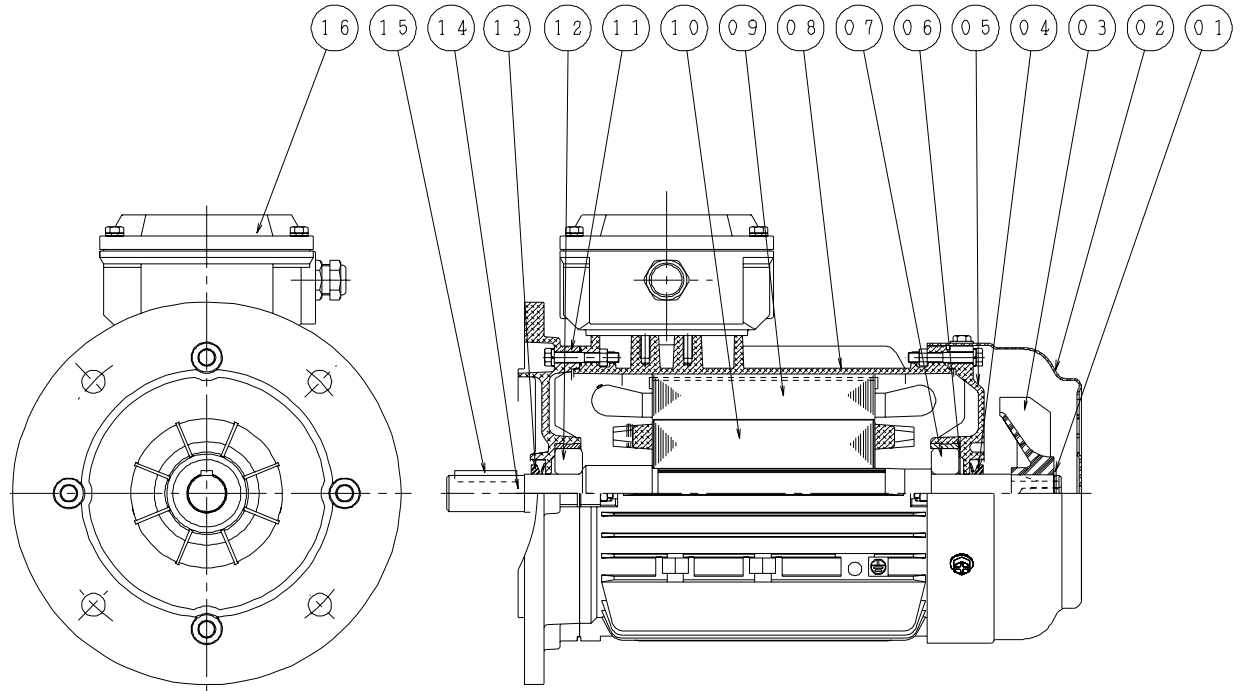


ITEM	NAME	ITEM	NAME
1	OUTSIDE RETAINING RING	10	STATOR
2	FAN COVER	11	TERMINAL BOX
3	EXTERNAL FAN	12	END BRACKET
4	V RING	13	BEARING
5	END BRACKET	14	V RING
6	PRE-LOAD SPRING	15	SHAFT
7	BEARING	16	KEY
8	FRAME	17	EYE BOLT
9	ROTOR	18	FOOT BASE

APPD.	Chiwen CHEN	27-Mar-15	TECO Electric & Machinery Co., Ltd. Wuxi, China	DWG NO.	<b>32057R9512</b>
CHKD.	Chiwen CHEN	27-Mar-15		REV. 00	
DWN.	YINYIN.SHA	26-Mar-15		4/4	

ISSUED 26-Mar-15	<b>SCHEMATIC DRAWING</b>	MODEL <b>AEQV□W</b>
REVISED		IE3 EFFICIENCY 3-PHASE INDUCTION MOTORS B5 (IM 3001) FRAME NOS. 80M

Totally Enclosed Fan - Cooled Type, Squirrel - Cage Rotor.



ITEM	NAME	ITEM	NAME
1	OUTSIDE RETAINING RING	9	STATOR
2	FAN COVER	10	ROTOR
3	EXTERNAL FAN	11	FLANGE
4	V RING	12	BEARING
5	END BRACKET	13	V RING
6	PRE-LOAD SPRING	14	SHAFT
7	BEARING	15	KEY
8	FRAME	16	TERMINAL BOX

APPD.	Chiwen CHEN	27-Mar-15	TECO Electric & Machinery Co., Ltd. <b>Wuxi, China</b>	DWG NO.	<b>32057R9513</b>
CHKD.	Chiwen CHEN	27-Mar-15		REV. 00	
DWN.	YINYIN.SHA	26-Mar-15		1/4	



ISSUED  
26-Mar-15

REVISED

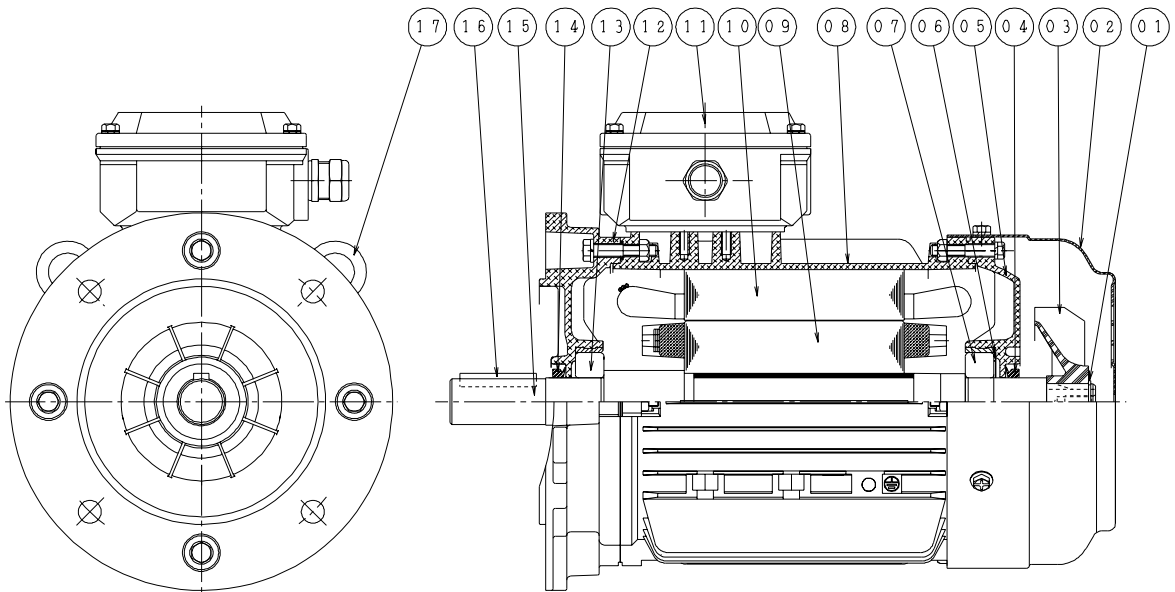
# SCHEMATIC DRAWING

IE3 EFFICIENCY 3-PHASE INDUCTION MOTORS  
B5 (IM 3001) FRAME NOS. 90S~112M

MODEL  
**AEQV□W**

PAGE  
15 of 22

Totally Enclosed Fan - Cooled Type, Squirrel - Cage Rotor.



ITEM	NAME	ITEM	NAME
1	OUTSIDE RETAINING RING	10	STATOR
2	FAN COVER	11	TERMINAL BOX
3	EXTERNAL FAN	12	FLANGE
4	V RING	13	BEARING
5	END BRACKET	14	V RING
6	PRE-LOAD SPRING	15	SHAFT
7	BEARING	16	KEY
8	FRAME	17	EYE BOLT
9	ROTOR		

APPD.	Chiwen CHEN	27-Mar-15
CHKD.	Chiwen CHEN	27-Mar-15
DWN.	YINYIN.SHA	26-Mar-15

**TECO Electric & Machinery Co., Ltd.**  
**Wuxi, China**

DWG NO.  
**32057R9513**

REV. 00 2/4

ISSUED  
26-Mar-15

# SCHEMATIC DRAWING

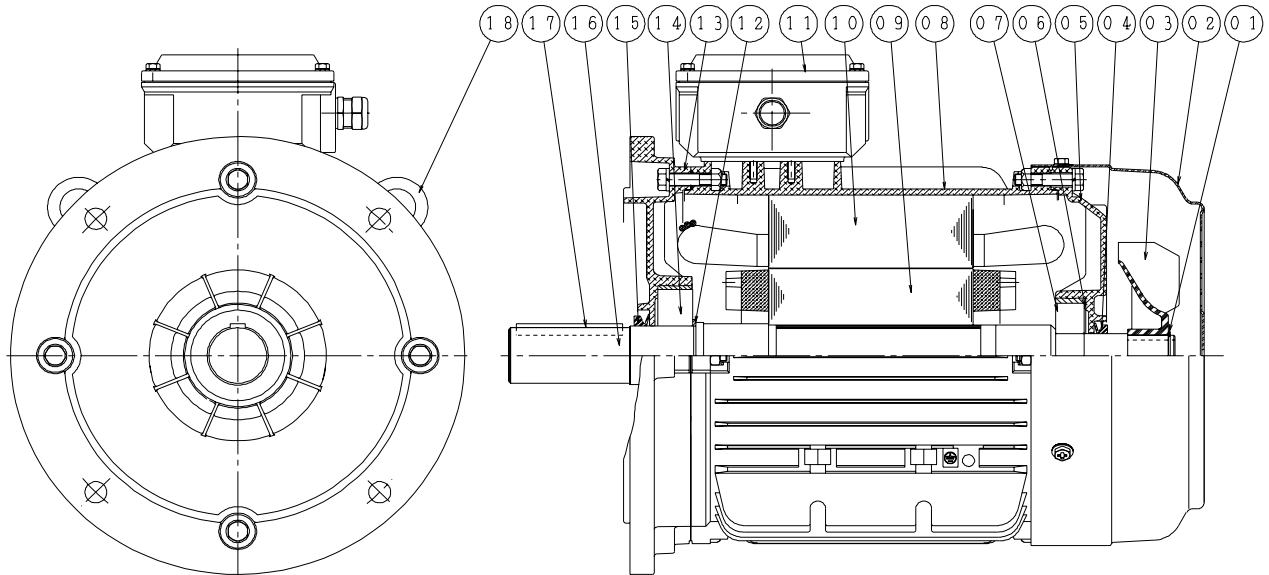
MODEL  
**AEQV□W**

REVISED

IE3 EFFICIENCY 3-PHASE INDUCTION MOTORS  
B5 (IM 3001) FRAME NOS. 132

PAGE  
16 of 22

Totally Enclosed Fan - Cooled Type, Squirrel - Cage Rotor.

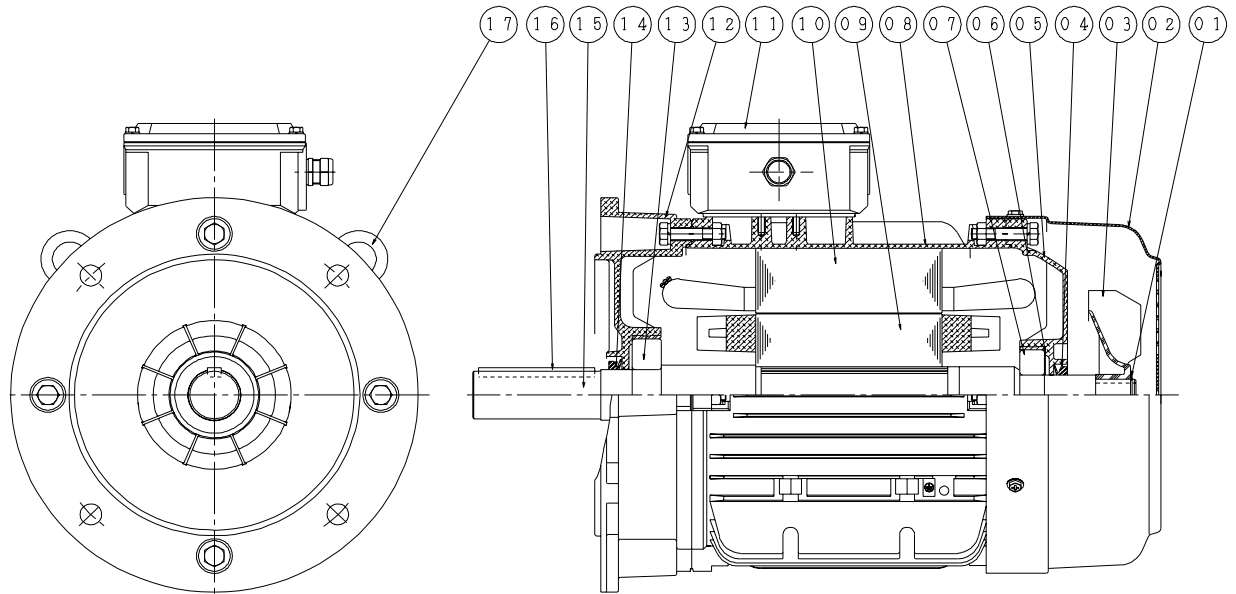


ITEM	NAME	ITEM	NAME
1	OUTSIDE RETAINING RING	10	STATOR
2	FAN COVER	11	TERMINAL BOX
3	EXTERNAL FAN	12	STOP RING-BEARING
4	V RING	13	FLANGE
5	END BRACKET	14	BEARING
6	PRE-LOAD SPRING	15	V RING
7	BEARING	16	SHAFT
8	FRAME	17	KEY
9	ROTOR	18	EYE BOLT

APPD.	Chiwen CHEN	27-Mar-15	TECO Electric & Machinery Co., Ltd. Wuxi, China	DWG NO.	<b>32057R9513</b>
CHKD.	Chiwen CHEN	27-Mar-15		REV. 00	
DWN.	YINYIN.SHA	26-Mar-15		3/4	

ISSUED 26-Mar-15	<b>SCHEMATIC DRAWING</b>	MODEL <b>AEQV□W</b>
REVISED		IE3 EFFICIENCY 3-PHASE INDUCTION MOTORS B5 (IM 3001) FRAME NOS. 160

Totally Enclosed Fan - Cooled Type, Squirrel - Cage Rotor.



ITEM	NAME	ITEM	NAME
1	OUTSIDE RETAINING RING	10	STATOR
2	FAN COVER	11	TERMINAL BOX
3	EXTERNAL FAN	12	FLANGE
4	V RING	13	BEARING
5	END BRACKET	14	V RING
6	PRE-LOAD SPRING	15	SHAFT
7	BEARING	16	KEY
8	FRAME	17	EYE BOLT
9	ROTOR		

APPD.	Chiwen CHEN	27-Mar-15	<b>TECO Electric &amp; Machinery Co., Ltd.</b> <b>Wuxi, China</b>	DWG NO.	<b>32057R9513</b>
CHKD.	Chiwen CHEN	27-Mar-15		REV. 00	
DWN.	YINYIN.SHA	26-Mar-15		4/4	

ISSUED

26-Mar-15

**SCHEMATIC DRAWING**

MODEL

**AEQV□W**

REVISED

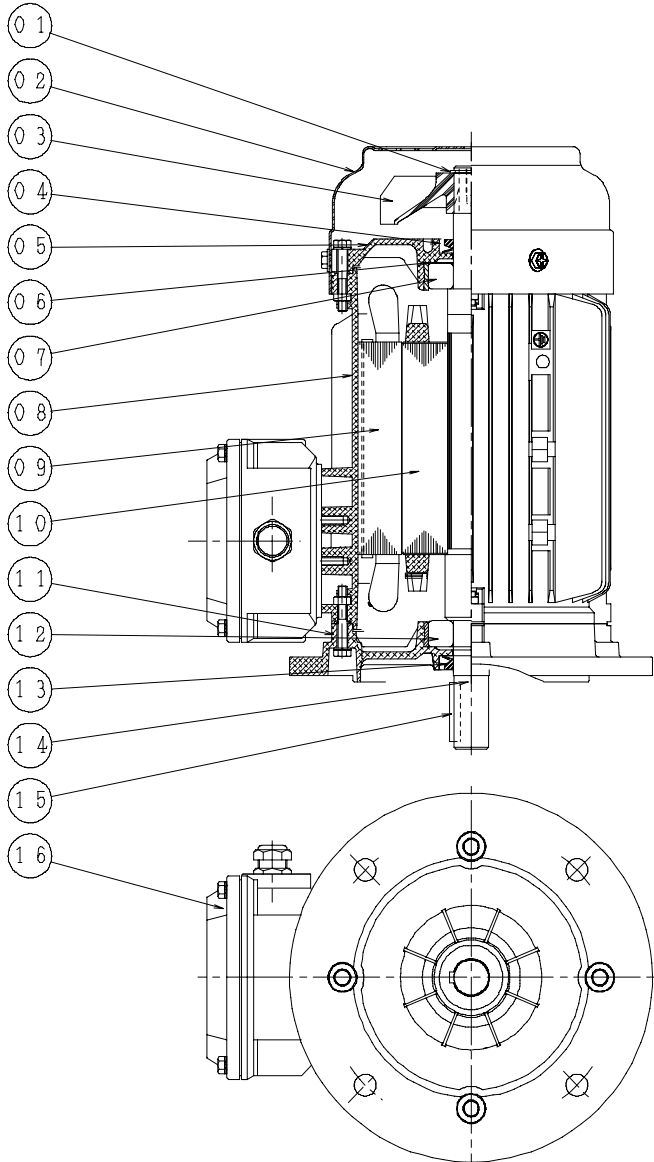
IE3 EFFICIENCY 3-PHASE INDUCTION MOTORS

PAGE

V1 (IM3011) FRAME NOS. 80M

18 of 22

Totally Enclosed Fan - Cooled Type, Squirrel - Cage Rotor.



ITEM	NAME
1	OUTSIDE RETAINING RING
2	FAN COVER
3	EXTERNAL FAN
4	V RING
5	END BRACKET
6	PRE-LOAD SPRING
7	BEARING
8	FRAME
9	STATOR
10	ROTOR
11	FLANGE
12	BEARING
13	V RING
14	SHAFT
15	KEY
16	TERMINAL BOX

APPD. Chiwen CHEN 27-Mar-15

CHKD. Chiwen CHEN 27-Mar-15

DWN. YINYIN.SHA 26-Mar-15

TECO Electric &amp; Machinery Co., Ltd.

Wuxi, China

DWG NO.

**32057R9514**

REV. 00

1/5

ISSUED

26-Mar-15

**SCHEMATIC DRAWING**

MODEL

**AEQV□W**

REVISED

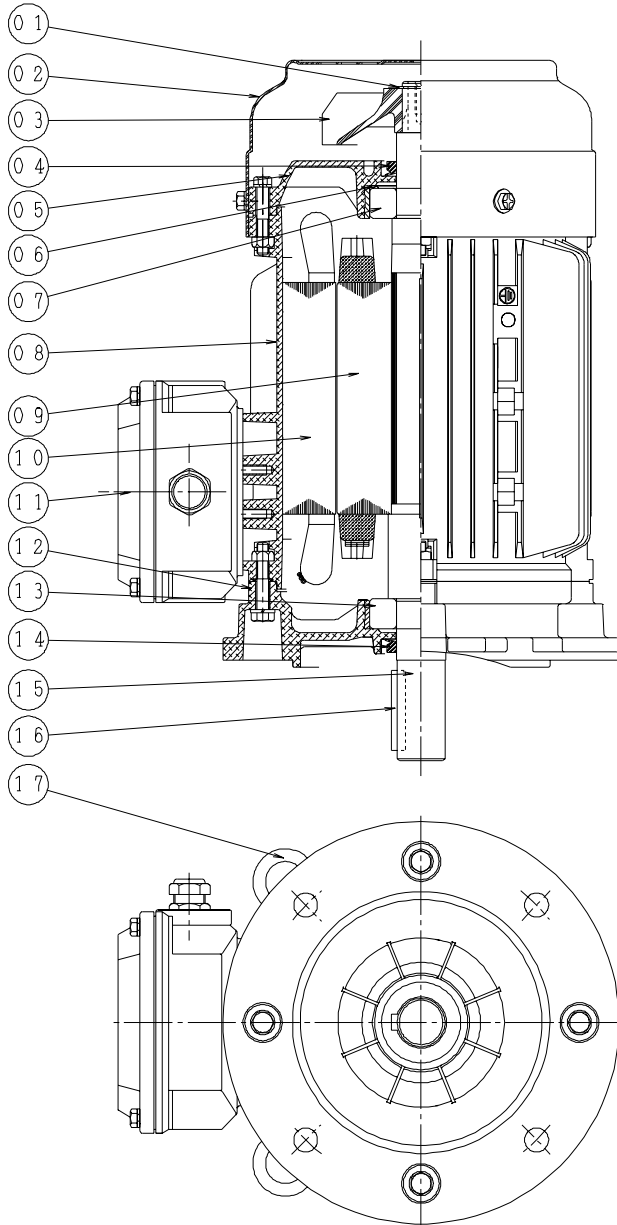
IE3 EFFICIENCY 3-PHASE INDUCTION MOTORS

PAGE

V1 (IM3011) FRAME NOS. 90S~112M

19 of 22

Totally Enclosed Fan - Cooled Type, Squirrel - Cage Rotor.



ITEM	NAME
1	OUTSIDE RETAINING RING
2	FAN COVER
3	EXTERNAL FAN
4	V RING
5	END BRACKET
6	PRE-LOAD SPRING
7	BEARING
8	FRAME
9	ROTOR
10	STATOR
11	TERMINAL BOX
12	FLANGE
13	BEARING
14	V RING
15	SHAFT
16	KEY
17	EYE BOLT

APPD. Chiwen CHEN 27-Mar-15

CHKD. Chiwen CHEN 27-Mar-15

DWN. YINYIN.SHA 26-Mar-15

TECO Electric &amp; Machinery Co., Ltd.

Wuxi, China

DWG NO.

**32057R9514**

REV. 00

2/5

ISSUED

26-Mar-15

**SCHEMATIC DRAWING**

MODEL

**AEQV□W**

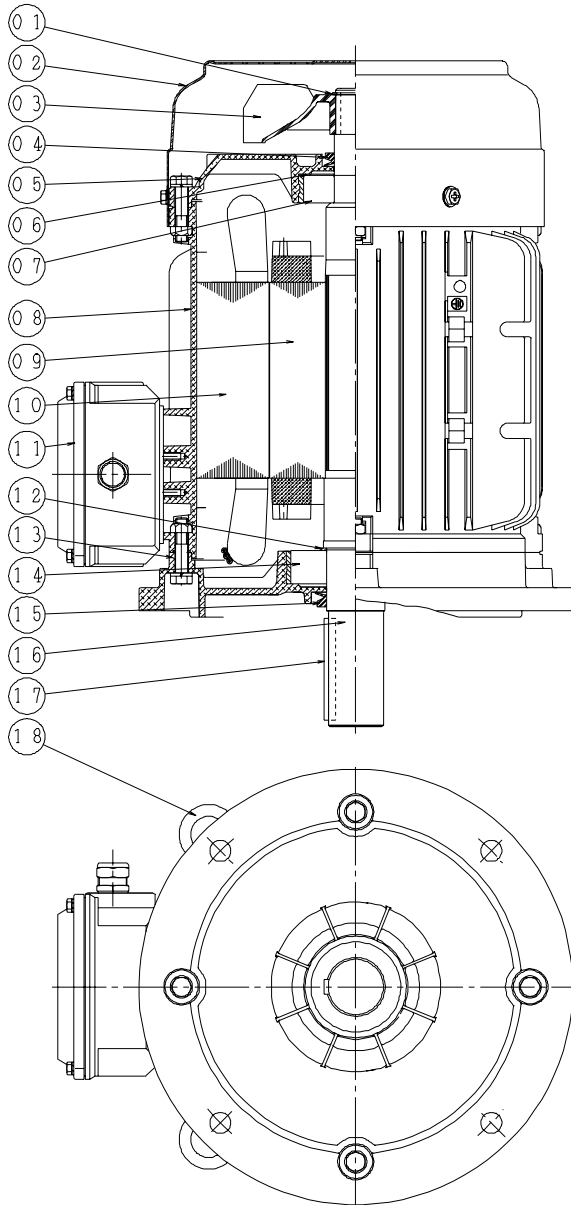
REVISED

IE3 EFFICIENCY 3-PHASE INDUCTION MOTORS  
V1 (IM3011) FRAME NOS. 132

PAGE

20 of 22

Totally Enclosed Fan - Cooled Type, Squirrel - Cage Rotor.



ITEM	NAME
1	OUTSIDE RETAINING RING
2	FAN COVER
3	EXTERNAL FAN
4	V RING
5	END BRACKET
6	PRE-LOAD SPRING
7	BEARING
8	FRAME
9	ROTOR
10	STATOR
11	TERMINAL BOX
12	STOP RING-BEARING
13	FLANGE
14	BEARING
15	V RING
16	SHAFT
17	KEY
18	EYE BOLT

APPD. Chiwen CHEN 27-Mar-15

CHKD. Chiwen CHEN 27-Mar-15

DWN. YINYIN.SHA 26-Mar-15

TECO Electric &amp; Machinery Co., Ltd.

Wuxi, China

DWG NO.

**32057R9514**

REV. 00

3/5

ISSUED

26-Mar-15

**SCHEMATIC DRAWING**

MODEL

**AEQV□W**

REVISED

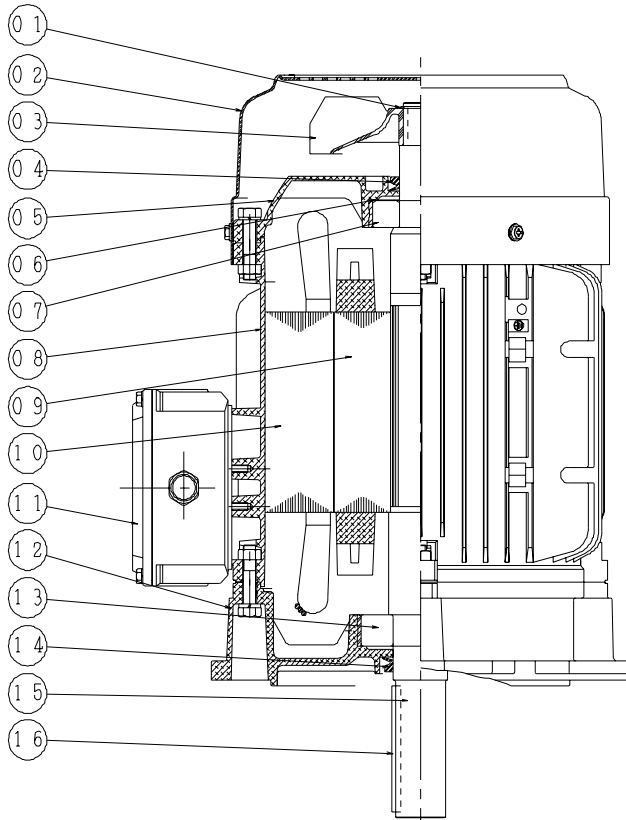
IE3 EFFICIENCY 3-PHASE INDUCTION MOTORS

PAGE

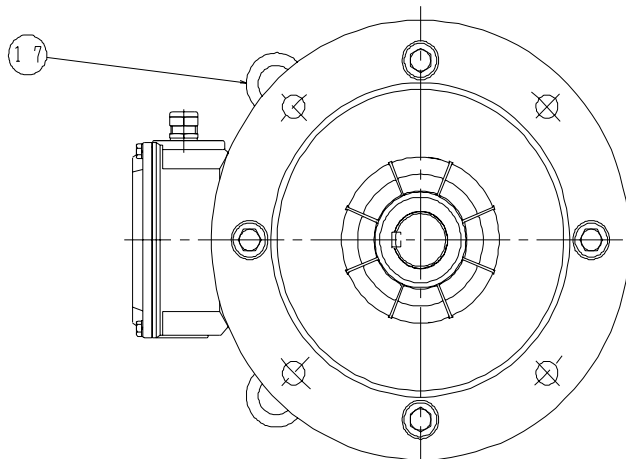
V1 (IM3011) FRAME NOS. 160

21 of 22

Totally Enclosed Fan - Cooled Type, Squirrel - Cage Rotor.



ITEM	NAME
1	OUTSIDE RETAINING RING
2	FAN COVER
3	EXTERNAL FAN
4	V RING
5	END BRACKET
6	PRE-LOAD SPRING
7	BEARING
8	FRAME
9	ROTOR
10	STATOR
11	TERMINAL BOX
12	FLANGE
13	BEARING
14	V RING
15	SHAFT
16	KEY
17	EYE BOLT



APPD.	Chiwen CHEN	27-Mar-15
CHKD.	Chiwen CHEN	27-Mar-15
DWN.	YINYIN.SHA	26-Mar-15

TECO Electric &amp; Machinery Co., Ltd.

Wuxi, China

DWG NO.

**32057R9514**

REV. 00

4/5

ISSUED  
26-Mar-15

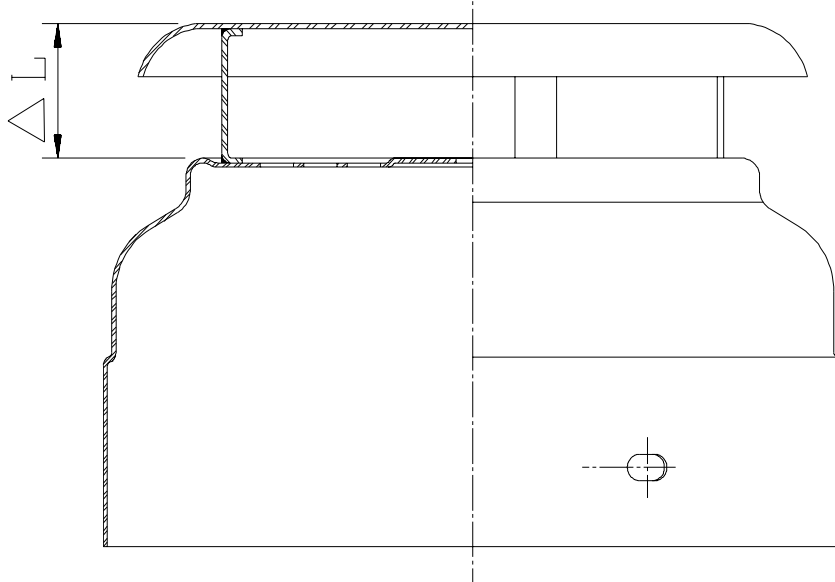
# OPTION

MODEL  
**AEQV□W**

REVISED

IE3 EFFICIENCY 3-PHASE INDUCTION MOTORS  
Drip Proof Cover

PAGE  
22 of 22



FRAME SIZE	$\Delta L$
80M	25
90S	30
90L	30
100L	35
112M	40
132S	45
132M	45
160M	50
160L	50

APPD.	Chiwen CHEN	27-Mar-15
CHKD.	Chiwen CHEN	27-Mar-15
DWN.	YINYIN.SHA	26-Mar-15

TECO Electric & Machinery Co., Ltd.  
Wuxi, China

DWG NO.  
**32057R9514**  
REV. 00